

# POWERBANK LITE

PowerBank Lite is a complete power management system designed to facilitate both split charging and flat battery protection on two battery banks.

PowerBank Lite is a flat battery protection system (PowerGuard). Using sophisticated battery monitoring techniques, PowerBank Lite detects when batteries start to run low. When the batteries have run below a certain level for a pre-set period of time, the battery will be disconnected.

PowerBank Lite is a remote battery switching system. This allows you to mount battery master switches in convenient locations such as dashboards or helm panels without needing to run heavy duty cables throughout the vehicle/boat.

PowerBank Lite is also a highly advanced split charging system (SmartBank) designed to allow charging of two independent battery banks.

PowerBank Lite will also operate on certain hybrid and electric vehicles and those fitted with both standard lead/acid, AGM, Gel and Lithium-Ion Batteries.

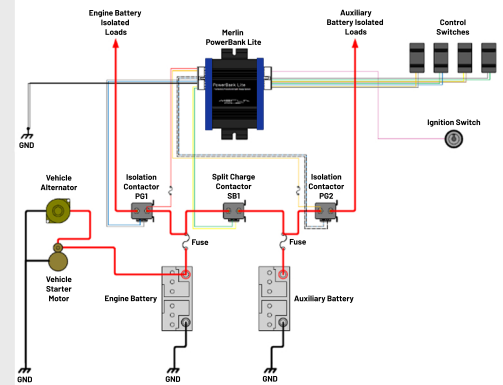
By employing leading edge technologies, PowerBank Lite is designed to cope with the most demanding system designs and is not fooled by transient and electrically noisy loads thanks to DSP sampling.

With completely configurable operation and 6x separately programmable inputs/outputs, PowerBank Lite is flexible enough to suit all applications.

PowerBank Lite can be batch programmed by PC - ideal for fitting across large fleets. The optional PC programming kit includes free software, an adaptor cable, and a serial to USB converter. It allows:

- Programming of advanced features & alarms
- Real time monitoring
- Data logging
- System diagnosis

- **Multi-purpose**  
Combining advanced flat battery protection, remote battery switching and split charge.
- **Cost-effective**  
By reducing installation time and the requirement to purchase separate isolator switches and split charge devices.
- **Fully adjustable settings**  
Can be supplied pre- configured for standard operation or programmed using Merlin's M-Power Software for specific operation. 6 programmable inputs/ outputs.
- **Suitable for up to 2 battery banks**  
For 12 or 24V Systems.



## PART # (STANDARD PRODUCT)

PART # (STANDARD PRODUCT)	19-5110 (ECU ONLY)	19-5100	19-5101
NUMBER OF BATTERY BANKS	2	2	2
VOLTAGE RATING	12 OR 24V DC	12V DC	24V DC
OPERATIONAL INPUT VOLTAGE RANGE	6.5 TO 36V DC	6.5 TO 36V DC	6.5 TO 36V DC
OPERATION TEMP RANGE	-25 TO +105°C	-25 TO +105°C	-25 TO +105°C
MAXIMUM CONTACTOR CURRENT	CONTACTOR DEPENDENT	200A CONTINUOUS 350A PEAK	200A CONTINUOUS 350A PEAK
POWER CONSUMPTION	11mA (UNIT IN IDLE STATE WITH NO CONTACTORS OR LEDS POWERED)		
OVERALL DIMENSIONS WxLxH (MM)	141 X 93 X 48		
WEIGHT (EX CABLES) (KG)	0.35		
COMPLIANCE	UKCA & CE MARKED. EMC DIRECTIVE 2014/30/EU. ROHS DIRECTIVE 2011/65/EC. ISO-7637 FOR VEHICLE USE. E MARK & VCA CERTIFIED.		