

POWERBANK LITE

PowerBank Lite is a complete power management system designed to facilitate both split charging and flat battery protection on two battery banks.

PowerBank Lite is a flat battery protection system (PowerGuard). Using sophisticated battery monitoring techniques, PowerBank Lite detects when batteries start to run low. When the batteries have run below a certain level for a pre-set period of time, the battery will be disconnected.

PowerBank Lite is a remote battery switching system. This allows you to mount battery master switches in convenient locations such as dashboards or helm panels without needing to run heavy duty cables throughout the vehicle/boat.

PowerBank Lite is also a highly advanced split charging system (SmartBank) designed to allow charging of two independent battery banks.

PowerBank Lite will also operate on certain hybrid and electric vehicles and those fitted with both standard lead/acid, AGM, Gel and Lithium-Ion Batteries.

By employing leading edge technologies, PowerBank Lite is designed to cope with the most demanding system designs and is not fooled by transient and electrically noisy loads thanks to DSP sampling.

With completely configurable operation and 6x separately programmable inputs/outputs, PowerBank Lite is flexible enough to suit all applications.

PowerBank Lite can be batch programmed by PC - ideal for fitting across large fleets. The optional PC programming kit includes free software, an adaptor cable, and a serial to USB converter. It allows:

- Programming of advanced features & alarms
- Real time monitoring
- Data logging
- System diagnosis

– Multi-purpose

Combining advanced flat battery protection, remote battery switching and split charge.

– Cost-effective

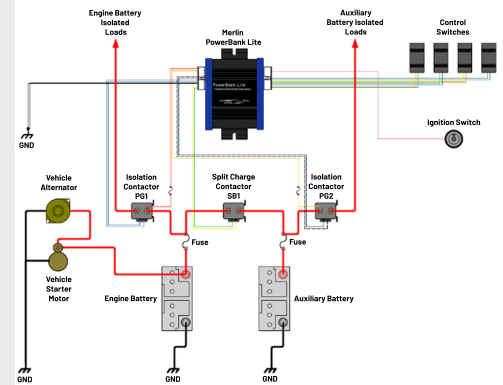
By reducing installation time and the requirement to purchase separate isolator switches and split charge devices.

– Fully adjustable settings

Can be supplied pre- configured for standard operation or programmed using Merlin's M-Power Software for specific operation. 6 programmable inputs/ outputs.

– Suitable for up to 2 battery banks

For 12 or 24V Systems.



PART # (STANDARD PRODUCT)

**19-5110
(ECU ONLY)**

19-5100

19-5101

NUMBER OF BATTERY BANKS

2

2

2

VOLTAGE RATING

12 OR 24V DC

12V DC

24V DC

OPERATIONAL INPUT VOLTAGE RANGE

6.5 TO 36V DC

6.5 TO 36V DC

6.5 TO 36V DC

OPERATION TEMP RANGE

-25 TO +105°C

-25 TO +105°C

-25 TO +105°C

MAXIMUM CONTACTOR CURRENT

CONTACTOR

200A CONTINUOUS

200A CONTINUOUS

DEPENDENT

350A PEAK

350A PEAK

POWER CONSUMPTION

11mA (UNIT IN IDLE STATE WITH NO CONTACTORS OR LEDS POWERED)

OVERALL DIMENSIONS WxLxH (MM)

141 X 93 X 48

WEIGHT (EX CABLES) (KG)

0.35

COMPLIANCE

UKCA & CE MARKED. EMC DIRECTIVE 2014/30/EU. ROHS DIRECTIVE 2011/65/EC. ISO-7637 FOR VEHICLE USE. E MARK & VCA CERTIFIED.