

# DATACELL 1

DataCell provides battery voltage and state of charge (SoC%) information for up to 4 independent battery banks. DataCell uses Merlin's unique battery monitoring algorithms and data models to provide super accurate data that (unlike all other monitors) never runs out of synchronisation with your batteries.

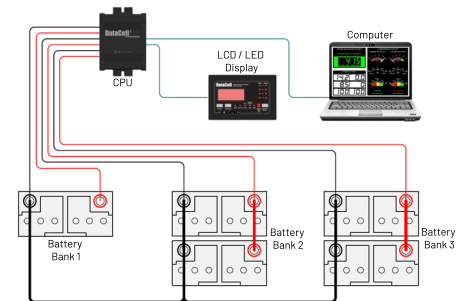
DataCell may be used as a normal battery monitor (using optional display panel or supplied PC software), or as a discrete stand-alone module for system automation, data logging, or reporting to an RS232/CANbus data network (optional).

DataCell is currently employed in a vast array of applications including:

- vehicles with CAN Bus output to integrate to an existing multi-function display;
- boats with remote panel as a 1, 2, 3, or 4 channel battery monitor;
- UPS & back-up power with the RS232 interface building and managing the system, while DataCell also manages auto start/stop of back up generators & alarms with built in I/O.

Optional "plug & play" remote panels are available to allow viewing of voltage, state of charge % and alarms. Available with alphanumeric LCD display or large format red LED display. See kit part numbers below.

- **Model Based Battery Monitor** for up to 4 independent 12 or 24V battery banks 50-2000Ah.
- **Never runs out of synchronisation** with batteries & more accurate than shunt based Ah counter even when batteries are in standby for long periods.
- **Provides voltage and SoC%** and may be data logged using supplied software.
- **8 x configurable inputs & outputs** for controlling generator stop start, alarms, load shedding etc.
- **Independently verified accuracy** by leading authorities including EnerSys, US Army Tardec, BAE Systems, and General Dynamics.



PART# (STANDARD PRODUCT)	19-6002	19-6003	19-6004	19-6005
PART# (W/CANBUS OUTPUT)	19-6040	19-6041	19-6042	19-6043
NUMBER OF BATTERY BANKS	1	2	3	4
NOMINAL VOLTAGE	12 OR 24VDC	12 OR 24VDC	12 OR 24VDC	12 OR 24VDC
VOLTAGE RANGE	9 ... 40VDC	9 ... 40VDC	9 ... 40VDC	9 ... 40VDC
12V MEASUREMENT RANGE	9 ... 17VDC	9 ... 17VDC	9 ... 17VDC	9 ... 17VDC
24V MEASUREMENT RANGE	18 ... 34VDC	18 ... 34VDC	18 ... 34VDC	18 ... 34VDC
POWER CONSUMPTION:				
STANDARD PRODUCT	<5MA	<5MA	<5MA	<5MA
WITH CAN ACTIVE	<25MA	<25MA	<25MA	<25MA
RECOMMENDED BATTERY SIZE	50...2000AH PER BANK	50 ... 2000AH PER BANK	50 ... 2000AH PER BANK	50 ... 2000AH PER BANK
OVERALL DIMENSIONS (MM)	90 X 110 X 32	90 X 110 X 32	90(L) X 110(W) X 32(H)	90(L) X 110(W) X 32(H)
WEIGHT EX CABLES (G)	207	207	207	207
COMPLIANCE	CE MARKED MEETING EMC DIRECTIVE 2004/108/EC & LVD2006/95/EC, COMPLYING WITH EN60335-1M & ROHS 2002/95/EC			

## STANDARD KIT PART NUMBERS

WITH LED PANEL	19-6014	19-6015	19-6016	19-6017
WITH LCD PANEL	19-6010	19-6011	19-6012	19-6013

All specifications are provided in best possible faith but may be subject to change without notice. All business is transacted according to our Standard Terms & Conditions, a copy of which is available upon request.