

DATACELL II

DataCell II is designed for applications where reliable and accurate battery information is mission critical. With proven World- leading accuracy, DataCell II is used where life and livelihood depend on battery power.

DataCell II overcomes all issues associated with shunt and ohmic-based monitoring devices including battery synchronisation, inaccurate readings due to battery post resistance, significant and excessive current consumption, state of charge drift etc.

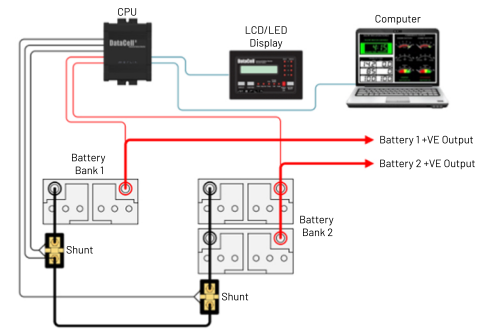
DataCell II is configurable to suit your application with data available on:

- an (optional) remote display panel,
- CAN bus,
- RS422 output,
- USB computer link to data logging and dashboard display software.

The unit can be also be used as a discrete module to start/stop generators, activate alarms etc, with 8x configurable inputs/outputs.

Optional "plug & play" remote panels are available to allow viewing of voltage, state of charge% and alarms. Available with alphanumeric LCD display or large format red LED display. See kit part numbers below.

- **Model Based Battery Monitor** for up to 4 independent 12 or 24V battery banks 50-2000Ah.
- **Never runs out of synchronisation** with batteries & more accurate than shunt based Ah counter even when batteries are in standby for long periods.
- **Provides critical information** including volts, net amps, state of charge (SoC%), time remaining until flat, amp hours counted, temperature, and state of health (SoH%).
- **8 x configurable inputs & outputs** for controlling generator stop start, alarms, load shedding etc.
- **Independently verified accuracy** by leading authorities including Energys, US Army Tardec, BAE Systems, and General Dynamics.



PART# (STANDARD PRODUCT)	19-6021	19-6022	19-6023	19-6024
PART# (W/CANBUS OUTPUT)	19-6048	19-6049	19-6050	19-6051
NUMBER OF BATTERY BANKS	1	2	3	1
NOMINAL VOLTAGE	12 OR 24VDC	12 OR 24VDC	12 OR 24VDC	12 OR 24VDC
VOLTAGE RANGE	9 ... 40VDC	9 ... 40VDC	9 ... 40VDC	9 ... 40VDC
12V MEASUREMENT RANGE	9 ... 17VDC	9 ... 17VDC	9 ... 17VDC	9 ... 17VDC
24V MEASUREMENT RANGE	18 ... 34VDC	18 ... 34VDC	18 ... 34VDC	18 ... 34VDC
POWER CONSUMPTION:				
STANDARD PRODUCT	<5MA	<5MA	<5MA	<5MA
WITH CAN ACTIVE	<25MA	<25MA	<25MA	<25MA
RECOMMENDED BATTERY SIZE	50 ... 2000AH	50 ... 2000AH	50 ... 2000AH	50 ... 2000AH
OVERALL DIMENSIONS (MM)	90 X 110 X 32	90 X 110 X 32	90 X 110 X 32	90 X 110 X 32
WEIGHT EX CABLES (G)	212	212	212	212
COMPLIANCE	CE MARKED MEETING EMC DIRECTIVE 2004/108/EC & LVD2006/95/EC, COMPLYING WITH EN60335-1M & ROHS 2002/95/EC			
STANDARD KIT PART NUMBERS				
WITH LED PANEL	19-6035	19-6036	19-6037	19-6038
WITH LCD PANEL	19-6031	19-6032	19-6033	19-6034

All specifications are provided in best possible faith but may be subject to change without notice. All business is transacted according to our Standard Terms & Conditions, a copy of which is available upon request.