

POWERGUARD PRO

PowerGuard PRO combines advanced flat battery protection and remote battery switching for up to two battery banks, reducing installation time and the requirement to purchase separate isolator switches.

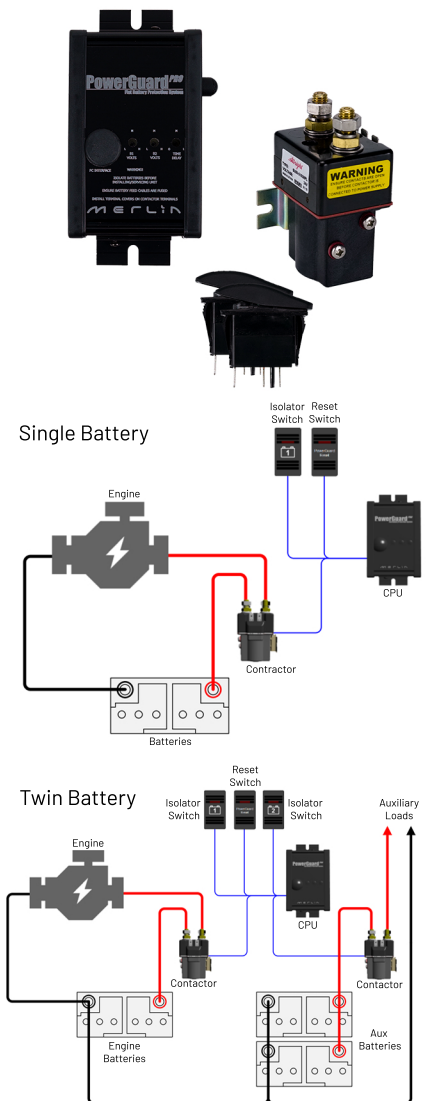
By employing leading edge technologies, PowerGuard PRO is designed to cope with the most demanding system designs and is not fooled by transient and electrically noisy loads thanks to DSP sampling. With completely configurable operation and 8x separately programmable inputs/outputs, PowerGuard PRO is flexible enough to suit all applications.

PowerGuard PRO can be batch programmed by PC - ideal for fitting across large fleets. The optional PC includes free software, an adaptor cable, and a serial USB converter and allows:

- programming of advanced features & alarms,
- data logging,
- real-time monitoring
- and system diagnosis.

PowerGuard PRO, and its subsequent component parts, are available for large volume OEM customers. Also available are custom looms, preprogramming, and your own specification of plugs/sockets for integration into existing wiring looms.

- **Multi-purpose** combining advanced flat battery protection and remote battery switching.
- **Cost-effective** by reducing installation time and the requirement to purchase separate isolator switches.
- **Fully adjustable settings** including twin timers per battery channel, disconnect voltage, disconnect time, reconnect voltage, programmable interlocks, automatic reconnect from ignition and 8 programmable inputs/outputs.
- **Suitable for 1 or 2 battery banks** which can be either 12V, 24V, or mixed.



PART #	04-8101	04-8103	04-8102	04-8104
MODEL	200A/12V/1	200A/12V/2	200A/24V/1	200A/24V/2
NUMBER OF BATTERY BANKS	1	2	1	2
MAXIMUM CURRENT (CRANKING)	725A	725A	725A	725A
MAXIMUM CURRENT (5 MINS)	250A	250A	250A	250A
MAXIMUM CURRENT (CONTINUOUS)	200A	200A	200A	200A
POWER CONSUMPTION	<10MA	<10MA	<5MA	<5MA
ADJUSTMENT RANGES:				
CONNECT/DISCONNECT VOLTAGE	FULLY ADJUSTABLE	FULLY ADJUSTABLE	FULLY ADJUSTABLE	FULLY ADJUSTABLE
TIME	FULLY ADJUSTABLE	FULLY ADJUSTABLE	FULLY ADJUSTABLE	FULLY ADJUSTABLE
CPU WEIGHT EX CABLES (G)	178	178	178	178
CPU DIMENSIONS EX CABLES (MM)	68 X 110 X 32	68 X 110 X 32	68 X 110 X 32	68 X 110 X 32
CONTACTOR WEIGHT (G)	375	375	375	375
CONTACTOR DIMENSIONS (MM)	91 X 50 X 39	91 X 50 X 39	91 X 50 X 39	91 X 50 X 39
RESET SWITCH WEIGHT (G)	24	24	24	24
RESET SWITCH DIMENSIONS (MM)	37 X 22	37 X 22	37 X 22	37 X 22
COMPLIANCE		EMC2002/95/EC, CE, ISO7637-2, SAE J1171		
E-MARK CERTIFICATION	YES	YES	YES	YES

All specifications are provided in best possible faith but may be subject to change without notice. All business is transacted according to our Standard Terms & Conditions, a copy of which is available upon request.