

POWERGUARD PRO

PowerGuard PRO combines advanced flat battery protection and remote battery switching for up to two battery banks, reducing installation time and the requirement to purchase separate isolator switches.

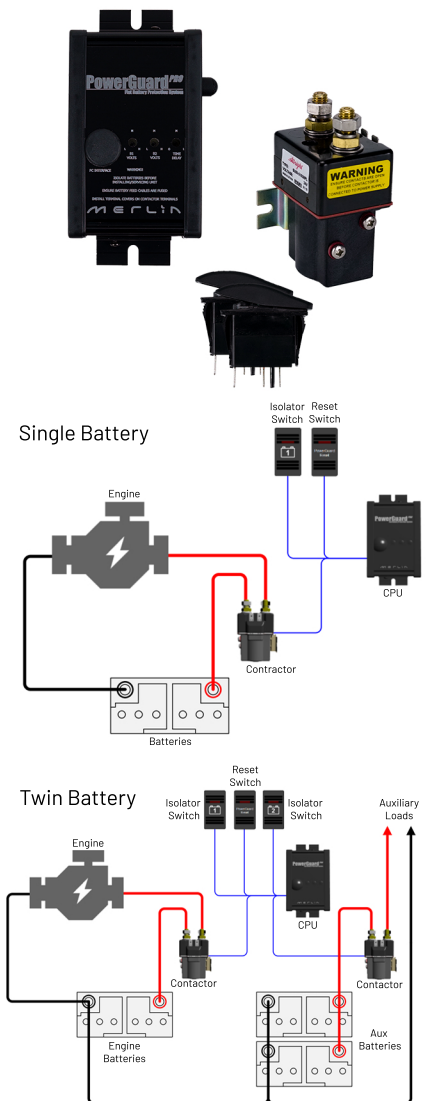
By employing leading edge technologies, PowerGuard PRO is designed to cope with the most demanding system designs and is not fooled by transient and electrically noisy loads thanks to DSP sampling. With completely configurable operation and 8x separately programmable inputs/outputs, PowerGuard PRO is flexible enough to suit all applications.

PowerGuard PRO can be batch programmed by PC - ideal for fitting across large fleets. The optional PC includes free software, an adaptor cable, and a serial USB converter and allows:

- programming of advanced features & alarms,
- data logging,
- real-time monitoring
- and system diagnosis.

PowerGuard PRO, and its subsequent component parts, are available for large volume OEM customers. Also available are custom looms, preprogramming, and your own specification of plugs/sockets for integration into existing wiring looms.

- **Multi-purpose** combining advanced flat battery protection and remote battery switching.
- **Cost-effective** by reducing installation time and the requirement to purchase separate isolator switches.
- **Fully adjustable settings** including twin timers per battery channel, disconnect voltage, disconnect time, reconnect voltage, programmable interlocks, automatic reconnect from ignition and 8 programmable inputs/outputs.
- **Suitable for 1 or 2 battery banks** which can be either 12V, 24V, or mixed.



| PART # | 04-8101 | 04-8103 | 04-8102 | 04-8104 |
|-------------------------------|------------------|---|------------------|------------------|
| MODEL | 200A/12V/1 | 200A/12V/2 | 200A/24V/1 | 200A/24V/2 |
| NUMBER OF BATTERY BANKS | 1 | 2 | 1 | 2 |
| MAXIMUM CURRENT (CRANKING) | 725A | 725A | 725A | 725A |
| MAXIMUM CURRENT (5 MINS) | 250A | 250A | 250A | 250A |
| MAXIMUM CURRENT (CONTINUOUS) | 200A | 200A | 200A | 200A |
| POWER CONSUMPTION | <10MA | <10MA | <5MA | <5MA |
| ADJUSTMENT RANGES: | | | | |
| CONNECT/DISCONNECT VOLTAGE | FULLY ADJUSTABLE | FULLY ADJUSTABLE | FULLY ADJUSTABLE | FULLY ADJUSTABLE |
| TIME | FULLY ADJUSTABLE | FULLY ADJUSTABLE | FULLY ADJUSTABLE | FULLY ADJUSTABLE |
| CPU WEIGHT EX CABLES (G) | 178 | 178 | 178 | 178 |
| CPU DIMENSIONS EX CABLES (MM) | 68 X 110 X 32 | 68 X 110 X 32 | 68 X 110 X 32 | 68 X 110 X 32 |
| CONTACTOR WEIGHT (G) | 375 | 375 | 375 | 375 |
| CONTACTOR DIMENSIONS (MM) | 91 X 50 X 39 | 91 X 50 X 39 | 91 X 50 X 39 | 91 X 50 X 39 |
| RESET SWITCH WEIGHT (G) | 24 | 24 | 24 | 24 |
| RESET SWITCH DIMENSIONS (MM) | 37 X 22 | 37 X 22 | 37 X 22 | 37 X 22 |
| COMPLIANCE | | EMC2002/95/EC, CE, ISO7637-2, SAE J1171 | | |
| E-MARK CERTIFICATION | YES | YES | YES | YES |

All specifications are provided in best possible faith but may be subject to change without notice. All business is transacted according to our Standard Terms & Conditions, a copy of which is available upon request.