

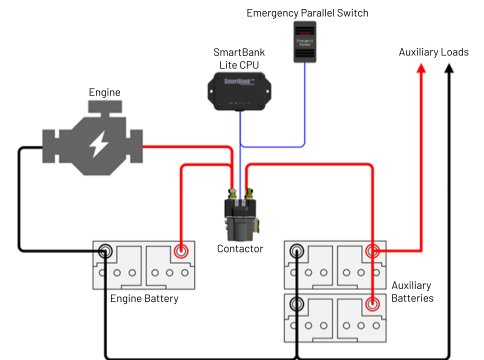
SMARTBANK LITE

SmartBank Lite is a battery combiner that joins multiple battery banks together while charging and disconnects them again while discharging.

SmartBank Lite is designed for two battery banks and any number of charge sources. The contactor should be mounted in a clean, dry environment between the batteries. The contactor can handle up to 125A continuously. SmartBank Lite is designed as a stepping stone between low cost VSR's and advanced combiners.

SmartBank Lite is also available in OEM versions and component parts for building into control boxes and panels, or for serial production line environments.

- **Zero-loss split charging** with no force-feeding of batteries.
- **Adjustable connect/disconnect** & hold delay timer to prevent contactor "chatter" and allow tuning of the system for best performance.
- **Suitable for two battery banks** and any number of charging sources.
- **Emergency parallel switch supplied** that allows you to jump start from auxiliary batteries.



PART#	19-2050	19-2051
MODEL	12V MODEL	24V MODEL
NOMINAL VOLTAGE	12VDC	24VDC
MAXIMUM CURRENT (CRANKING)	600A	600A
MAXIMUM CURRENT (CONTINUOUS)	125A	125A
RECOMMENDED ALTERNATOR SIZE	<=100A	<=100A
POWER CONSUMPTION	<5MA	<3MA
CPU WEIGHT EX CABLES {G}	103.5	103.5
CPU DIMENSIONS EX CABLES {MM}	110 X 60 X 30	110 X 60 X 30
CONTACTOR WEIGHT {G}	350	350
CONTACTOR DIMENSIONS {MM}	84 X 62 X 25	84 X 62 X 25
RESET SWITCH WEIGHT {G}	24	24
RESET SWITCH DIMENSIONS {MM}	37 X 22	37 X 22
COMPLIANCE	EMC2002/95/EC, CE MARK, ISO7637-2, SAE J1171	

All specifications are provided in best possible faith but may be subject to change without notice. All business is transacted according to our Standard Terms & Conditions, a copy of which is available upon request.