

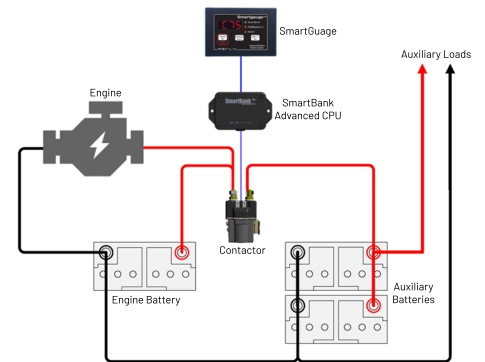
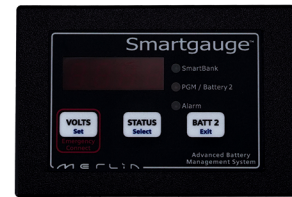
SMARTBANK ADVANCED

SmartBank Advanced combines the power of our SmartGauge Battery Monitor and SmartBank split charging technology, with the SmartGauge understanding how your batteries are working, it continuously tunes settings to ensure the best split charge performance as batteries and charge systems age.

As well as ensuring top charging performance, SmartBank Advanced displays battery voltage and state of charge information to allow users to get the most from the batteries without excessive discharge. The SmartGauge acts as a battery monitor, split charge remote control, and programming interface. Please see the SmartGauge datasheet for further info.

SmartBank Advanced is available as either a full system or as an upgrade kit. The upgrade kit is designed for existing owners of SmartGauge and includes split charging hardware (contactors), control box, and interface cable. The Full System includes the SmartGauge, split charging hardware (contactors), control box, and interface cable.

- **Critical information provided** with battery voltage and state of charge% for your auxiliary battery and voltage for the engine start battery.
- **Charge prioritising & capacity sharing** allows you to prioritise charge order and share spare engine battery capacity with auxiliaries.
- **Industry accepted "best method"** of split charging with zero loss, no force-feeding/overcharge, and virtually no parasitic power drain.
- **Suitable for 2 or 3 battery banks** in 12V or 24V applications.



| MODEL | 12 VOLT | 24 VOLT | | |
|---------------------------------------|------------------------------------|------------------------------------|--------------------|-----------------|
| NOMINAL VOLTAGE | 12VDC | 24VDC | | |
| MAXIMUM CURRENT (SURGE) | 725A | 725A | | |
| MAXIMUM CURRENT (CONTINUOUS) | 200A | 200A | | |
| RECOMMENDED MAX. ALTERNATOR | <=150A | <=150A | | |
| CONNECT VOLTAGE (ADJUSTMENT RANGE) | FULLY ADJUSTABLE | FULLY ADJUSTABLE | | |
| DISCONNECT VOLTAGE (ADJUSTMENT RANGE) | FULLY ADJUSTABLE | FULLY ADJUSTABLE | | |
| TIME ADJUSTMENT | FULLY ADJUSTABLE | FULLY ADJUSTABLE | | |
| ENGINE HIGH/LOW VOLTAGE ALARM | FULLY ADJUSTABLE | FULLY ADJUSTABLE | | |
| AUXILIARY HIGH/LOW VOLTAGE ALARM | FULLY ADJUSTABLE | FULLY ADJUSTABLE | | |
| AUXILIARY LOW STATE OF CHARGE ALARM | FULLY ADJUSTABLE | FULLY ADJUSTABLE | | |
| ALARM CONTACTS FOR EXTERNAL ALARM | YES | YES | | |
| SPLIT CHARGE INDICATORS | YES | YES | | |
| EMERGENCY PARALLEL MODE | YES | YES | | |
| SMARTGAUGE WEIGHT (G) | 905 | 905 | | |
| SMARTGAUGE DIMENSIONS (MM) | 110 X 76 X 28 | 110 X 76 X 28 | | |
| CPU WEIGHT (G) | 150 | 150 | | |
| CPU DIMENSIONS (MM) | 138 X 62 X 33 | 138 X 62 X 33 | | |
| CONTACTOR WEIGHT (G) | 375 | 375 | | |
| CONTACTOR DIMENSIONS (MM) | 91 X 50 X 39 | 91 X 50 X 39 | | |
| STANDARDS | EMC2002/95/EC, CE MARK, ISO-7637-2 | EMC2002/95/EC, CE MARK, ISO-7637-2 | | |
| PART NUMBERS | UPGRADE KIT | FULL KIT | UPGRADE KIT | FULL KIT |
| 2 BATTERY BANK | 19-3001 | 19-3010 | 19-3003 | 19-3012 |
| 3 BATTERY BANK | 19-3002 | 19-3011 | 19-3004 | 19-3013 |

All specifications are provided in best possible faith but may be subject to change without notice. All business is transacted according to our Standard Terms & Conditions, a copy of which is available upon request.