

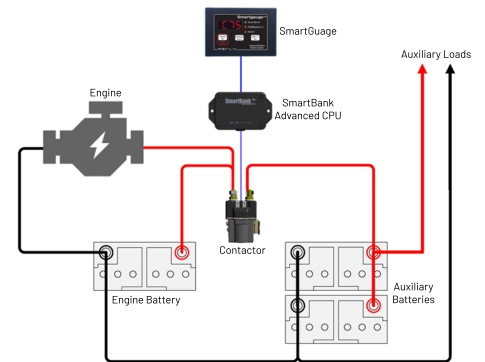
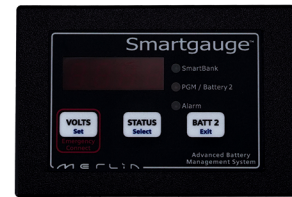
# SMARTBANK ADVANCED

SmartBank Advanced combines the power of our SmartGauge Battery Monitor and SmartBank split charging technology, with the SmartGauge understanding how your batteries are working, it continuously tunes settings to ensure the best split charge performance as batteries and charge systems age.

As well as ensuring top charging performance, SmartBank Advanced displays battery voltage and state of charge information to allow users to get the most from the batteries without excessive discharge. The SmartGauge acts as a battery monitor, split charge remote control, and programming interface. Please see the SmartGauge datasheet for further info.

SmartBank Advanced is available as either a full system or as an upgrade kit. The upgrade kit is designed for existing owners of SmartGauge and includes split charging hardware (contactors), control box, and interface cable. The Full System includes the SmartGauge, split charging hardware (contactors), control box, and interface cable.

- **Critical information provided** with battery voltage and state of charge% for your auxiliary battery and voltage for the engine start battery.
- **Charge prioritising & capacity sharing** allows you to prioritise charge order and share spare engine battery capacity with auxiliaries.
- **Industry accepted "best method"** of split charging with zero loss, no force-feeding/overcharge, and virtually no parasitic power drain.
- **Suitable for 2 or 3 battery banks** in 12V or 24V applications.



MODEL	12 VOLT	24 VOLT		
NOMINAL VOLTAGE	12VDC	24VDC		
MAXIMUM CURRENT (SURGE)	725A	725A		
MAXIMUM CURRENT (CONTINUOUS)	200A	200A		
RECOMMENDED MAX. ALTERNATOR	<=150A	<=150A		
CONNECT VOLTAGE (ADJUSTMENT RANGE)	FULLY ADJUSTABLE	FULLY ADJUSTABLE		
DISCONNECT VOLTAGE (ADJUSTMENT RANGE)	FULLY ADJUSTABLE	FULLY ADJUSTABLE		
TIME ADJUSTMENT	FULLY ADJUSTABLE	FULLY ADJUSTABLE		
ENGINE HIGH/LOW VOLTAGE ALARM	FULLY ADJUSTABLE	FULLY ADJUSTABLE		
AUXILIARY HIGH/LOW VOLTAGE ALARM	FULLY ADJUSTABLE	FULLY ADJUSTABLE		
AUXILIARY LOW STATE OF CHARGE ALARM	FULLY ADJUSTABLE	FULLY ADJUSTABLE		
ALARM CONTACTS FOR EXTERNAL ALARM	YES	YES		
SPLIT CHARGE INDICATORS	YES	YES		
EMERGENCY PARALLEL MODE	YES	YES		
SMARTGAUGE WEIGHT (G)	905	905		
SMARTGAUGE DIMENSIONS (MM)	110 X 76 X 28	110 X 76 X 28		
CPU WEIGHT (G)	150	150		
CPU DIMENSIONS (MM)	138 X 62 X 33	138 X 62 X 33		
CONTACTOR WEIGHT (G)	375	375		
CONTACTOR DIMENSIONS (MM)	91 X 50 X 39	91 X 50 X 39		
STANDARDS	EMC2002/95/EC, CE MARK, ISO-7637-2	EMC2002/95/EC, CE MARK, ISO-7637-2		
<b>PART NUMBERS</b>	<b>UPGRADE KIT</b>	<b>FULL KIT</b>	<b>UPGRADE KIT</b>	<b>FULL KIT</b>
2 BATTERY BANK	19-3001	19-3010	19-3003	19-3012
3 BATTERY BANK	19-3002	19-3011	19-3004	19-3013

All specifications are provided in best possible faith but may be subject to change without notice. All business is transacted according to our Standard Terms & Conditions, a copy of which is available upon request.