

# DATACELL II

DataCell II is designed for applications where reliable and accurate battery information is mission critical. With proven World- leading accuracy, DataCell II is used where life and livelihood depend on battery power.

DataCell II overcomes all issues associated with shunt and ohmic-based monitoring devices including battery synchronisation, inaccurate readings due to battery post resistance, significant and excessive current consumption, state of charge drift etc.

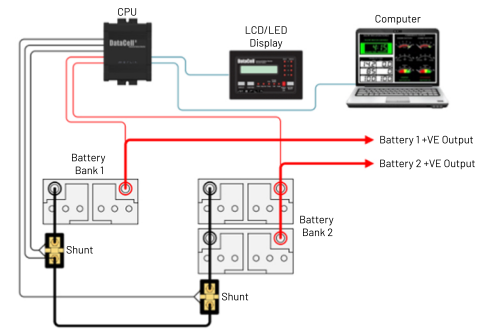
DataCell II is configurable to suit your application with data available on:

- an (optional) remote display panel,
- CAN bus,
- RS422 output,
- USB computer link to data logging and dashboard display software.

The unit can be also be used as a discrete module to start/stop generators, activate alarms etc, with 8x configurable inputs/outputs.

Optional "plug & play" remote panels are available to allow viewing of voltage, state of charge% and alarms. Available with alphanumeric LCD display or large format red LED display. See kit part numbers below.

- **Model Based Battery Monitor** for up to 4 independent 12 or 24V battery banks 50-2000Ah.
- **Never runs out of synchronisation** with batteries & more accurate than shunt based Ah counter even when batteries are in standby for long periods.
- **Provides critical information** including volts, net amps, state of charge (SoC%), time remaining until flat, amp hours counted, temperature, and state of health (SoH%).
- **8 x configurable inputs & outputs** for controlling generator stop start, alarms, load shedding etc.
- **Independently verified accuracy** by leading authorities including Energys, US Army Tardec, BAE Systems, and General Dynamics.



| PART# (STANDARD PRODUCT)         | 19-6021  | 19-6022       | 19-6023       | 19-6024       |
|----------------------------------|--|---------------|---------------|---------------|
| PART# (W/CANBUS OUTPUT)          | 19-6048  | 19-6049       | 19-6050       | 19-6051       |
| NUMBER OF BATTERY BANKS          | 1  | 2             | 3             | 1             |
| NOMINAL VOLTAGE                  | 12 OR 24VDC  | 12 OR 24VDC   | 12 OR 24VDC   | 12 OR 24VDC   |
| VOLTAGE RANGE                    | 9 ... 40VDC  | 9 ... 40VDC   | 9 ... 40VDC   | 9 ... 40VDC   |
| 12V MEASUREMENT RANGE            | 9 ... 17VDC  | 9 ... 17VDC   | 9 ... 17VDC   | 9 ... 17VDC   |
| 24V MEASUREMENT RANGE            | 18 ... 34VDC   | 18 ... 34VDC  | 18 ... 34VDC  | 18 ... 34VDC  |
| POWER CONSUMPTION:               |  |               |               |               |
| STANDARD PRODUCT                 | <5MA   | <5MA          | <5MA          | <5MA          |
| WITH CAN ACTIVE                  | <25MA  | <25MA         | <25MA         | <25MA         |
| RECOMMENDED BATTERY SIZE         | 50 ... 2000AH  | 50 ... 2000AH | 50 ... 2000AH | 50 ... 2000AH |
| OVERALL DIMENSIONS (MM)          | 90 X 110 X 32  | 90 X 110 X 32 | 90 X 110 X 32 | 90 X 110 X 32 |
| WEIGHT EX CABLES (G)             | 212  | 212           | 212           | 212           |
| COMPLIANCE                       | CE MARKED MEETING EMC DIRECTIVE 2004/108/EC & LVD2006/95/EC, COMPLYING WITH EN60335-1M & ROHS 2002/95/EC |               |               |               |
| <b>STANDARD KIT PART NUMBERS</b> |  |               |               |               |
| WITH LED PANEL                   | 19-6035  | 19-6036       | 19-6037       | 19-6038       |
| WITH LCD PANEL                   | 19-6031  | 19-6032       | 19-6033       | 19-6034       |

All specifications are provided in best possible faith but may be subject to change without notice. All business is transacted according to our Standard Terms & Conditions, a copy of which is available upon request.